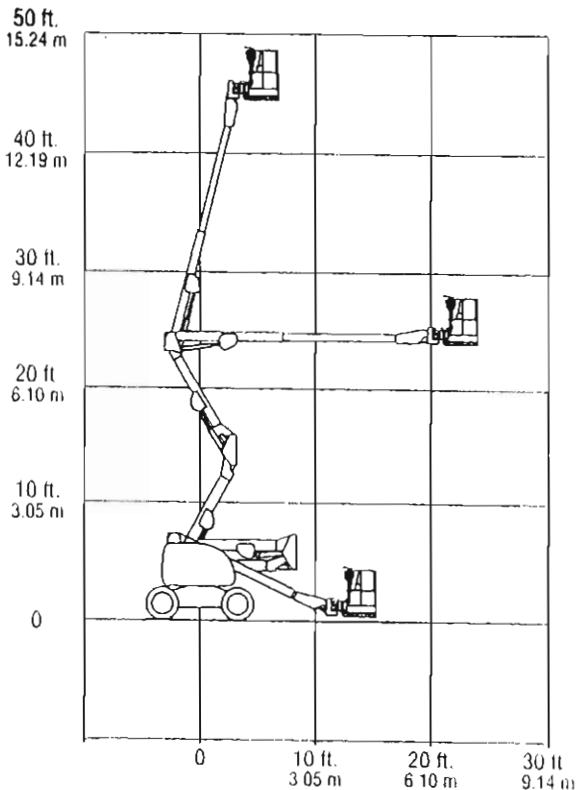


JLG MODEL 450A



REACH SPECIFICATIONS

Platform Height	45 ft. (13.72 m)
Horizontal Outreach	23 ft. 9 in. (7.24 m)
Up and Over Height	24 ft. 3 in. (7.39 m)
Swing	360 degrees non-continuous
Platform Capacity—Unrestricted	500 lbs. (227 kg)
Platform Rotator	180 degrees hydraulic



DIMENSIONAL DATA

A. Platform Size	30 in. x 72 in. (0.76 m x 1.83 m)
B. Overall Width	6 ft. 6 in. (1.98 m)
Overall Width (Optional Flotation Tires)	6 ft. 9 in. (2.06 m)
C. Tailswing (working condition)	Zero
D. Stowed Height	7 ft. 4 in. (2.24 m)
E. Stowed Length	20 ft. 2 in. (6.15 m)
F. Wheelbase	6 ft. 6 in. (1.98 m)
G. Ground Clearance	11 in. (28 cm)
Gross Vehicle Weight	14,600 lbs. (6,623 kg)
Max. Ground Bearing Pressure Standard Tire	110 psi (50 kg/cm ²)
Max. Ground Bearing Pressure Flotation Tire	80 psi (36 kg/cm ²)

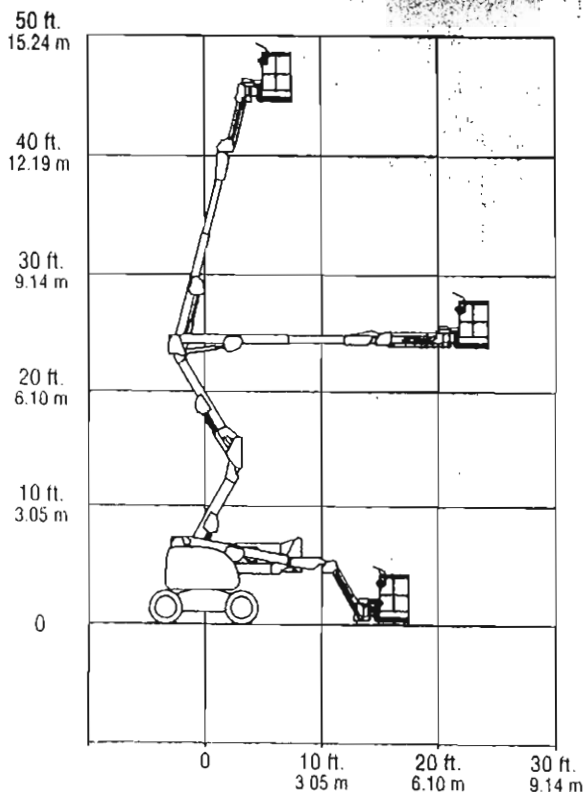
CHASSIS

Drive Speed 2WD	4.5 MPH (7.2 km/h)
Drive Speed 4WD/2WD	2.25/4.5 MPH (3.6/7.2 km/h)
Gradeability 2WD	30%
Gradeability 4WD	40%
Tires	Pneumatic, 12 x 16.5
Axle Oscillation	8 in. (20 cm)
Turning Radius, (Inside/Outside)	5 ft. 8 in./14 ft. (1.73 m/4.27 m)

POWER SOURCE

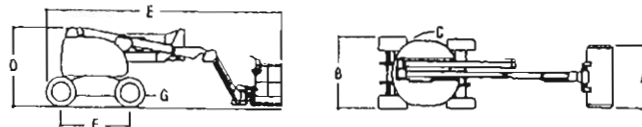
Gasoline Engine, Ford LRG-425	66 hp (49.2 kW)
Diesel Engine, Deutz F3M1011	47 hp (35 kW)
Diesel Engine, Isuzu 4JB1	67 hp (51 kW)
Fuel Tank Capacity	16.5 gal. (62.5 L)
Hydraulic Reservoir	30 gal. (113.6 L)
Auxiliary Power	12V DC

JLG MODEL 450AJ



REACH SPECIFICATIONS

Platform Height	45 ft. (13.72 m)
Horizontal Outreach	24 ft. 6 in. (7.47 m)
Up and Over Height	24 ft. 1 in. (7.34 m)
Swing	360 degrees non-continuous
Platform Capacity—Unrestricted	500 lbs. (227 kg)
Platform Rotator	180 degrees hydraulic
lib	4 ft. 6 in. (1.37 m), 135 degrees (+70, -65)



DIMENSIONAL DATA

A. Platform Size	30 in. x 72 in. (0.76 m x 1.83 m)
B. Overall Width	6 ft. 6 in. (1.98 m)
Overall Width (Optional Flotation Tires)	6 ft. 9 in. (2.06 m)
C. Tailswing (working condition)	Zero
D. Stowed Height	7 ft. 4 in. (2.24 m)
E. Stowed Length	22 ft. (6.71 m)
F. Wheelbase	6 ft. 6 in. (1.98 m)
G. Ground Clearance	11 in. (28 cm)
Gross Vehicle Weight	15,600 lbs. (7,076 kg)
Max. Ground Bearing Pressure Standard Tire	117 psi (53 kg/cm ²)
Max. Ground Bearing Pressure Flotation Tire	87 psi (39 kg/cm ²)

CHASSIS

Drive Speed 2WD	4.5 MPH (7.2 km/h)
Drive Speed 4WD/2WD	2.25/4.5 MPH (3.6/7.2 km/h)
Gradeability 2WD	30%
Gradeability 4WD	40%
Tires	Pneumatic, 12 x 16.5
Axle Oscillation	8 in. (20 cm)
Turning Radius, (Inside/Outside)	5 ft. 8 in./14 ft. (1.73 m/4.27 m)

POWER SOURCE

Gasoline Engine, Ford LRG-425	66 hp (49.2 kW)
Diesel Engine, Deutz F3M1011	47 hp (35 kW)
Diesel Engine, Isuzu 4JB1	67 hp (51 kW)
Fuel Tank Capacity	16.5 gal. (62.5 L)
Hydraulic Reservoir	30 gal. (113.6 L)
Auxiliary Power	12V DC